

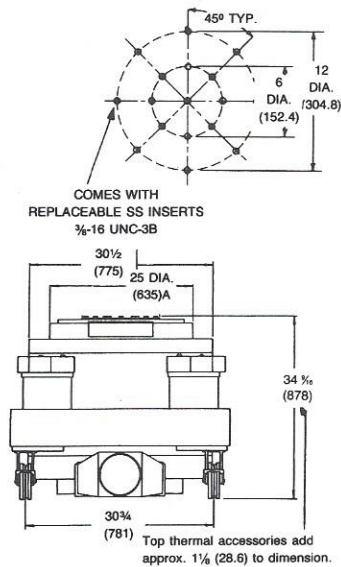
612V/624V SPECIFICATIONS

	612V	624V		
Force Rating:	6,000 lbs. (26.7 kN) sine and random	6,000 lbs. (26.7 kN) sine and random	Rated Displacement:	1.5 in. (38.1 mm) pk-pk continuous duty; 2.0 in. (50.8 mm) shock
Max. Acceleration:	125 g vector	50 g vector	Overtravel Protection:	Normally closed switch for electronic control, set for 2.1 in. (53.3 mm) pk-pk
Fundamental Armature Resonance (bare table):	2350 Hz	1950 Hz	Maximum Displacement:	2.2 in. (55.9 mm) peak-to-peak between mechanical stops
Armature Table Diameter:	13.25 in. (337 mm)	25.5 in. (648 mm)	Body Suspension:	Pneumatic spring system with s 2 Hz natural frequency in the direction of the thrust axis (may be locked out)
Effective Armature Weight, Nominal:	48 lbs. (21.8 kg)	120 lbs. (54.5 kg)	Field Power:	External dc field supply required
Flexure Stiffness:	1,000 lbs./in. (18 kg/mm)	Included in payload support system	Field Protection:	Discharge rectifier
Pneumatic Payload Support System:	Optional [550 lbs. (250 kg) maximum]	Standard [supports up to 1,000 lbs. (454 kg) in vertical direction]	Cooling:	Air-cooled by suction type blower; blower to shaker flexible air duct, 7 in. (178 mm) dia., 10 ft. (3 m) long
Overall Height:	34.6 in. (9878 mm)	34.6 in. (9878 mm)	Weight (Uncrated):	5,000 lbs. (2,268 kg)
Armature Guidance:	High-stiffness air bearings	Ruggedized linear recirculating ball bearings	Environmental Capabilities:	Standard shaker ambient- +40°F to + 104°F (+5°C to + 40°C) Shaker with top thermal accessories- -100°F to + 350°F (-73°C to + 177°C)
Stray Magnetic Field:	<3 gauss (0.3 mT) 6 in. (152 mm) above table	<9 gauss (0.9 mT) with optional degauss coil; <25 gauss (2.5 mT) without degauss coil, 6 in. (152 mm) above table	Optional Accessories:	<ul style="list-style-type: none"> • Inverted V-angle tracks • Top thermal protection (required with AGREE-type chambers) • 3/8-24 UNF-3B table inserts • M8 x 1.25-6H table inserts • M10 x 1.5 table inserts • M12 x 1.75-6H table inserts (624V only) • Muffler for blower • Acoustic enclosure for blower • Weatherproof enclosure for remote cooling blower • Additional hose length for blower • Electric tow motor
Degauss Coil:	Standard	Optional		

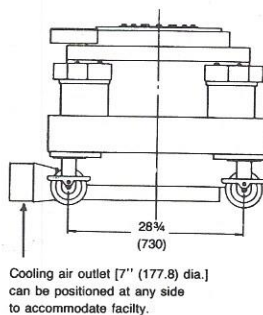
Load Mounting:

NOTE: DIMENSIONS ARE IN INCHES AND (mm)

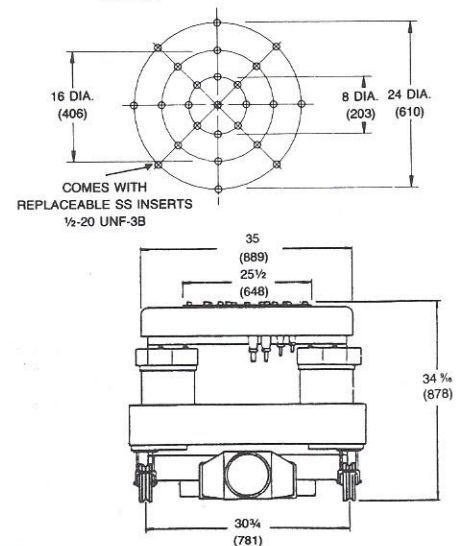
612V



612V/624V



624V



Specifications subject to change without notice. When included as part of a quotation, specifications are firm for the period of the quotation.